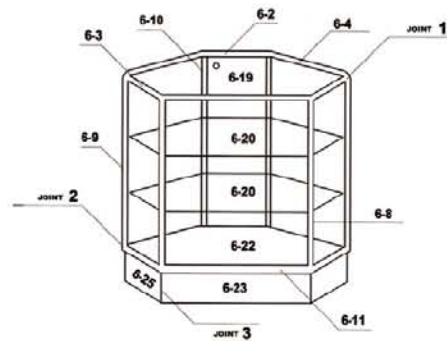


## CB-5 Hexagonal Corner Showcase



Shown: 1/2 vision CB-5

- 20"x20"x12"x38"
- All aluminum curved or flat profile
- Full vision unit has 2 adjustable glass shelves
- Masonite doors
- Lock included
- Levellers



## CB-6 Wall Showcase



- 34"x20"x72"; 48"x14"x84"
- All aluminum curved or flat profile
- 5 Glass shelves
- Sliding glass doors
- Glass or masonite back
- Lock included
- Levellers

